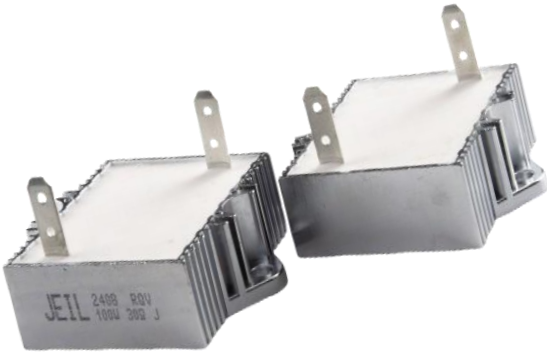


# RQV Series (100W)

## Metal Clad Resistors for Automobile



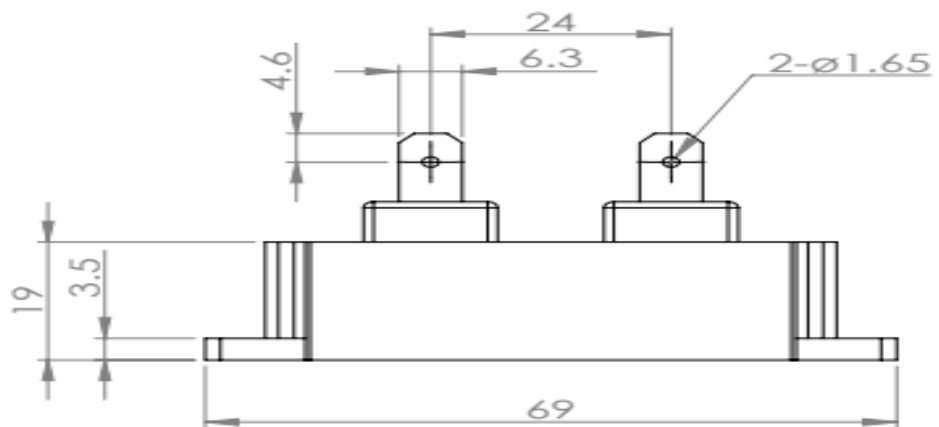
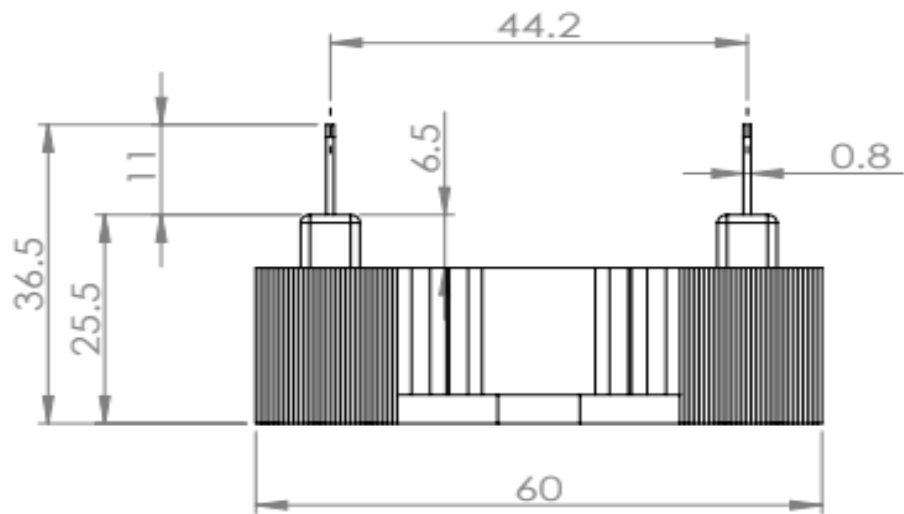
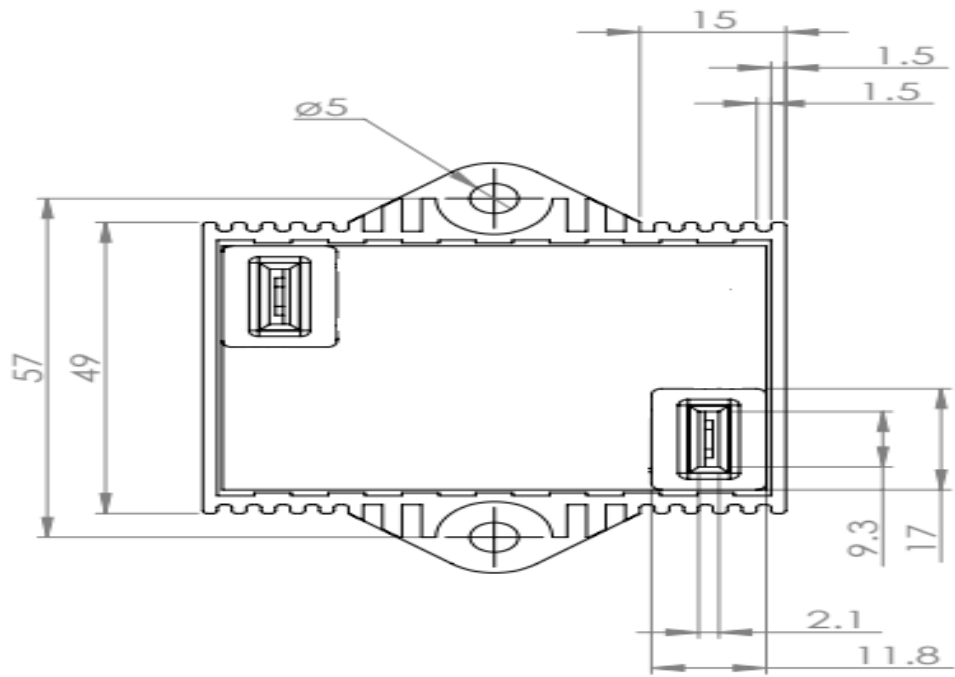
**Automotive Grade  
AEC-Q200**

- Automotive-Grade Pre-Charging Resistors Meet the Pre-Charging Conditions of all Voltage Levels.
- They Have the Advantages of Large Thermal Capacity, Small Size, and High Installation Reliability.
- They Are Commonly Used For Pre-Charging of Buses And Passenger Cars.
- Overload And Short Circuit Can Withstand A Long Time.
- It Has Good Pre-Charge Characteristics

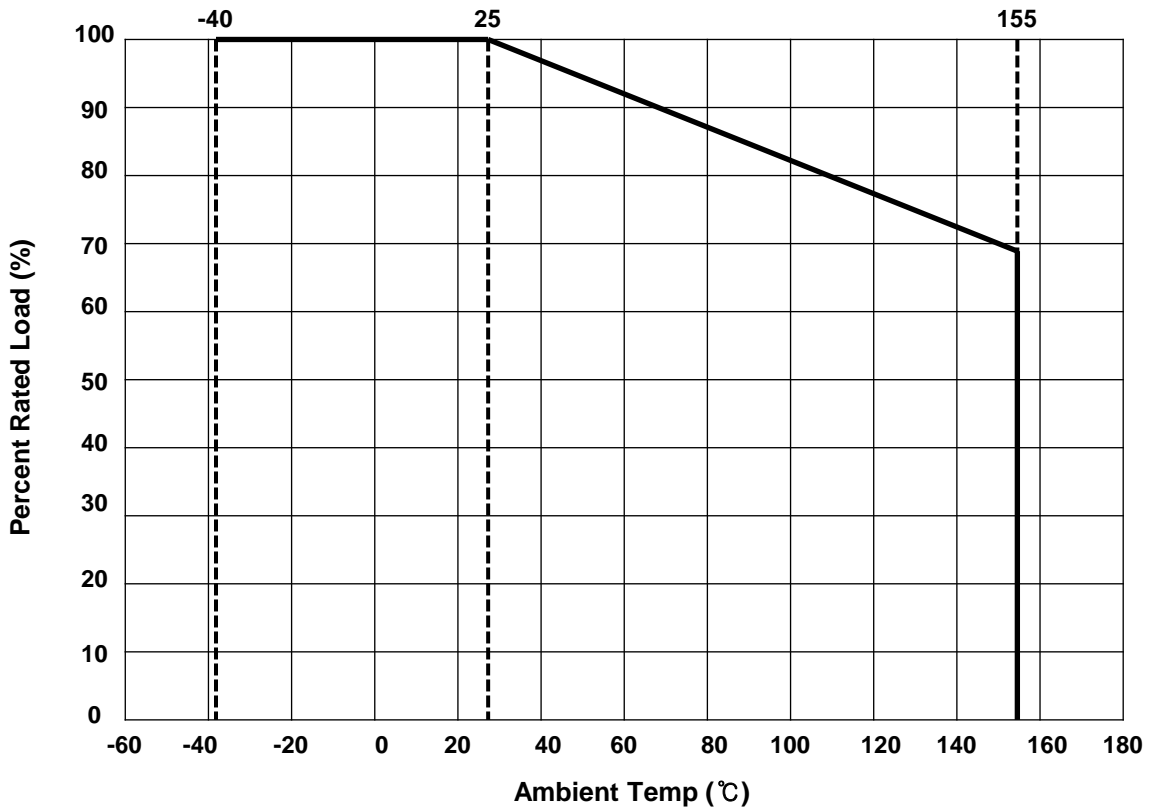
### ■ SPECIFICATIONS

Test item	Test Condition	Test time	Reference
High Temperature Exposure)	150℃	1,000hr	MIL-STD-202 Method 108
Temperature Cycle	(-55 ~ 150)℃	1hr/cycle, 1,000cycle = 1,000hr	JESD22-A104
Biased Humidity	85℃, 85%R.H.	1,000hr	MIL-STD-202 Method 103
Operational Life	150℃	1,000hr	MIL-STD-202 Method 108
Mechanical Shock	100G, 6ms, 3Time/6-axis	-	MIL-STD-202 Method 213
Vibration Test	(10~2,000) Hz, 5G, 4hr each axis, 3 axes total	-	MIL-STD-202 Method 204
Resistance to Soldering Heat	(260±5)℃,	-	MIL-STD-202 Method 210
Solderability	(235±5)℃,	(5±0.5)s	J-STD-002
Resistance to Solvent	* Solvent 3 1. Solvent A) Isopropyl Alcohol : Mineral Spirits = 1 : 3 2. Solvent C) Terpene Defluxer 3. Solvent D) Water : Propylene glycol monomethyl ether Monoethanolamine = 42 : 1 : 1	-	MIL-STD-202 Method 215
Terminal Strength	1. Wire Type : Pull Test / Force 40N (Nominal cross-sectional area≥1.20mm <sup>2</sup> ) 2. Flat pin Type	-	MIL-STD-202 Method 211
Withstand voltage test	2500Vac	60sec	AEC-Q200
Insulation resistance	1000VDC / 1000MΩ	60sec	AEC-Q200
ESD	Direct Contact(6kV) ~ Air Discharge(12~25kV)	-	AEC-Q200-002

## ■ DIMENSIONS



## ▣ POWER DERATING CURVE



## ▣ HOW TO ORDER

<b>RQV</b>	<b>100W</b>	<b>100Ω</b>	<b>J</b>
TYPE	POWER RATING	RESISTANCE	TOLERANCE ±1% ±5%

[www.resistors.co.kr](http://www.resistors.co.kr)

Tel +82-7648216