

RQR series

High Power Ceramic Wire Wound Resistor



- Resistances from 0.1Ω to 100KΩ
- Tolerance 1% or 5%
- Power Ratings of 2,3,5,7,10Watts
- Flameproof Inorganic Construction
- High Power Resistor
- Non-Inductive Windings are Available

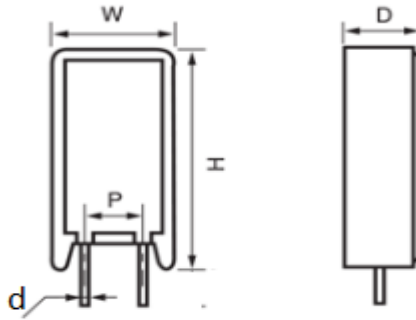
■ SPECIFICATIONS

ITEM	SPECIFICATION LIMITS
Operating Temperature Range	-40 °C ~ +155 °C
Resistance Temperature Coefficient	±350ppm/ °C Max
Short-time overload	±(2% + 0.05Ω), Rated Power x 5 for 5sec
Dielectric Withstanding Voltage	±(2% + 0.05Ω), AC2500V 60sec
Insulation Resistance	±(2% + 0.05Ω), 500MΩ 500VDC
Resistance soldering Heat	±(2% + 0.05Ω), 230 °C for 5sec
Thermal Shock	±(2% + 0.05Ω), -40 °C, +20 °C, +125 °C
Moisture Resistance	±(5% + 0.05Ω), 40 °C, 90 ~ 95% RH
Load life	±(5% + 0.05Ω), for 1,000hours

■ RATINGS

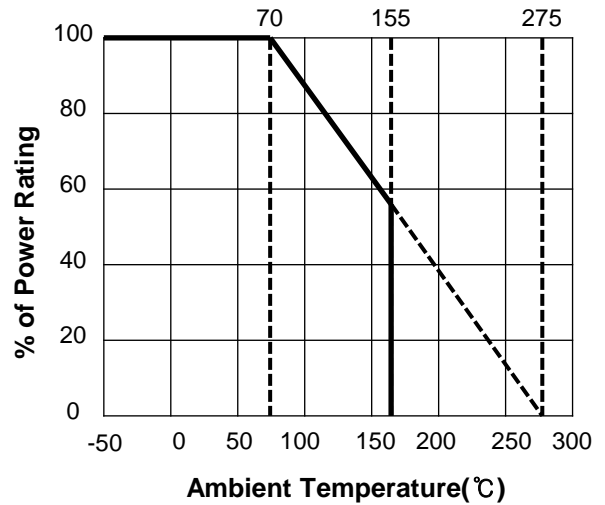
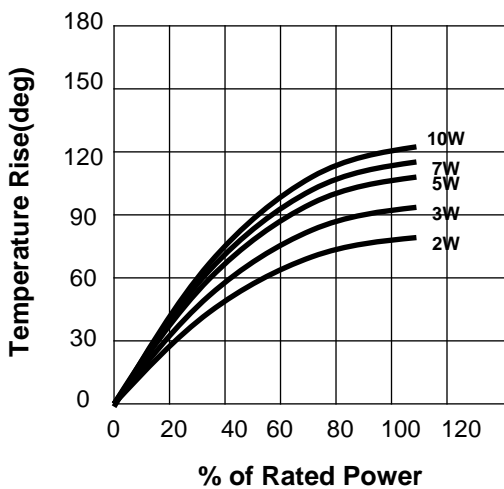
TYPE	Power Rating	Max Working Voltage	Max Overload Voltage	Resistance Range			Operating Temp Range	Rated Ambient Temp	Resistance Tolerance
				MOR	WIRE WOUND				
					Glass Core	Ceramic core			
RQR02	2W	250V	500V	10-100K	0.1-50	0.1-100	-40 °C ~ +155 °C	70 °C	±1%(F) ±2%(G) ±5%(J)
RQR03	3W	300V	600V	10-100K	0.1-100	0.1-150			
RQR05	5W	350V	700V	10-100K	0.1-100	0.1-150			
RQR07	7W	500V	1000V	10-100K	0.1-150	0.1-200			
RQR10	10W	700V	1400V	10-100K	0.1-1K	0.1-1K			

■ DIMENSIONS



TYPE	Power Rating	Dimensions (mm)				
		W \pm 1	D \pm 1	H \pm 1	P \pm 1	d
RQR2	2W	11.5	7	21.5	5	0.7
RQR3	3W	11.5	7	21.5	5	0.7
RQR5	5W	13.5	10	25	5	0.8
RQR7	7W	14	9	40	5	0.8
RQR10	10W	16	12	36	5	0.8

■ SURFACE TEMPERATURE INCREASE VERSUS POWER LOAD & DERATING CURVES



■ HOW TO ORDER

RQ	R	5W	10 Ω	J
TYPE	STYLE	POWER RATING	NOMINAL RESISTANCE	RESISTANCE TOLERANCE

www.resistors.co.kr

Tel +82-7648216