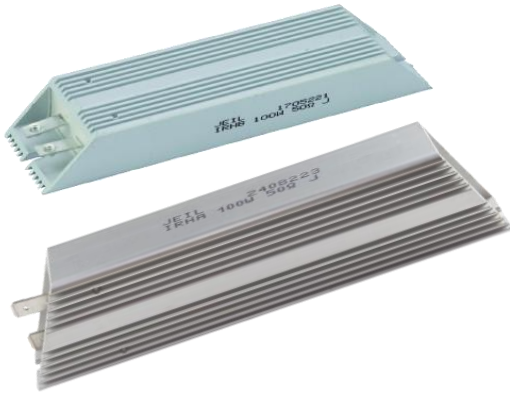


IRH Series (50W ~500W) Metal Clad Resistor



- Excellent Stability
- Impact Resistance
- Good Heat Dissipation
- Easy Installation
- Custom Leads Available
- Wire Wound Technologies
- Power Ratings From 60 to 500 Watts
- Non-Inductive Winding Available
- Tolerances of 1%, 5%, or 10%
- Compact Packaging

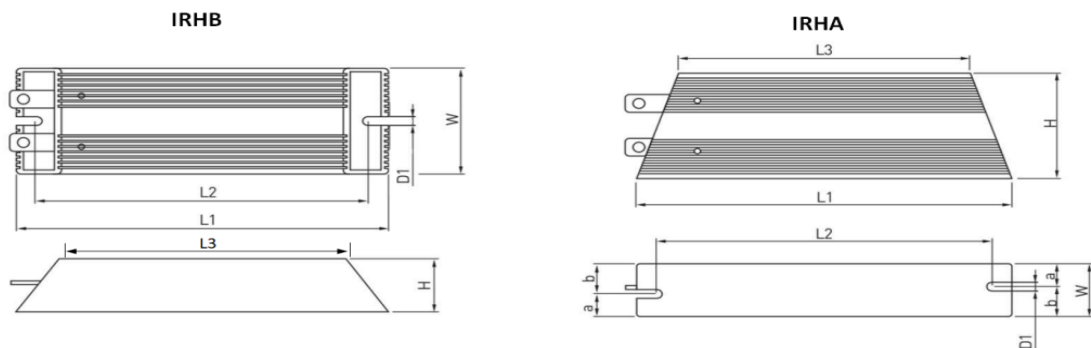
■ SPECIFICATIONS

Test item	Test Condition	Test time	Reference
High Temperature Exposure)	150 °C	1,000hr	MIL-STD-202 Method 108
Temperature Cycle	(-55 ~ 150) °C	1hr/cycle, 1,000cycle = 1,000hr	JESD22-A104
Biased Humidity	85 °C, 85%R.H.	1,000hr	MIL-STD-202 Method 103
Operational Life	150 °C	1,000hr	MIL-STD-202 Method 108
Mechanical Shock	100G, 6ms, 3Time/6-axis	-	MIL-STD-202 Method 213
Vibration Test	(10~2,000) Hz, 5G, 4hr each axis, 3 axes total	-	MIL-STD-202 Method 204
Resistance to Soldering Heat)	(260±5) °C,	-	MIL-STD-202 Method 210
Solderability	(235±5) °C,	(5±0.5)s	J-STD-002
Resistance to Solvent	* Solvent 3 1. Solvent A) Isopropyl Alcohol : Mineral Spirits = 1 : 3 2. Solvent C) Terpene Defluxer 3. Solvent D) Water : Propylene glycol monomethyl ether Monoethanolamine = 42 : 1 : 1	-	MIL-STD-202 Method 215
Terminal Strength	1. Wire Type : Pull Test / Force 40N (Nominal cross-sectional area≥1.20mm ²) 2. Flat pin Type	-	MIL-STD-202 Method 211
Withstand voltage test	2500Vac	60sec	AEC-Q200
Insulation resistance	1000VDC / 1000MΩ	60sec	AEC-Q200
ESD	Direct Contact(6kV) ~ Air Discharge(12~25kV)	-	AEC-Q200-002

■ RATINGS

TYPE	Rated Power		Resistance Range(Ω)		Resistance Tolerance
	On Heatsink	In Free Air	Inductive	Non-Inductive	
IRHA / IRHB 60	60W	50W	0.1~1K	0.1~56	±0.5% (D) ±1.0% (F) ±2.0% (G) ±5.0% (J) ±10% (K)
IRHA / IRHB 80	80W	64W	0.1~1K	0.1~110	
IRHA / IRHB 100	100W	80W	0.1~1.1K	0.1~240	
IRHA / IRHB 120	120W	96W	0.1~1.3K	0.1~300	
IRHA / IRHB 150	150W	120W	0.1~1.3K	0.1~390	
IRHA / IRHB 200	200W	140W	0.1~1.6K	0.1~1K	
IRHA / IRHB 300	300W	210W	0.1~2.2K	0.1~1.5K	
IRHA / IRHB 400	400W	240W	0.1~4.3K	0.1~2.2K	
IRHA / IRHB 500	500W	300W	0.1~6.8K	0.1~3K	

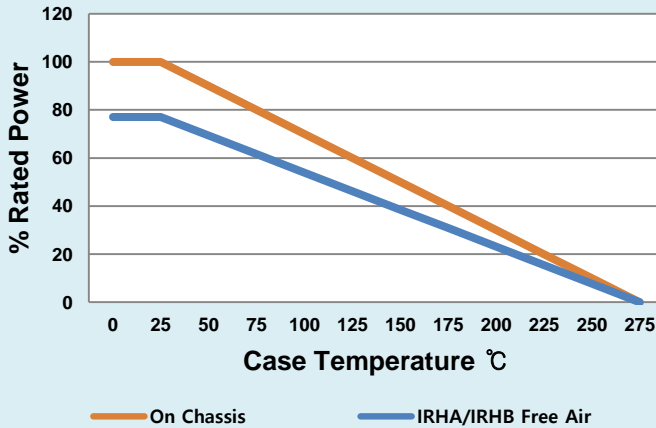
■ DIMENSIONS



TYPE	DIMENSIONS(mm)									Terminal Specifications(mm)	Weight(g)
	L1±2	L2±2	L3±2	W±0.5	H±0.5	D1±0.3	a±0.5	b±0.5			
IRHA / B 60W	100	87	60	(A)22 (B)41	(A)41 (B)22	4.3	7.8	10	0.8t , Width 6.35mm	125	
IRHA / B 80W	150	137	110	(A)22 (B)41	(A)41 (B)22	4.3	7.8	10	0.8t , Width 6.35mm	200	
IRHA / B 100W	165	152	125	(A)22 (B)41	(A)41 (B)22	4.3	7.8	10	0.8t , Width 6.35mm	240	
IRHA / B 120W	182	169	142	(A)22 (B)41	(A)41 (B)22	4.3	7.8	10	0.8t , Width 6.35mm	270	
IRHA / B 150W	210	197	170	(A)22 (B)41	(A)41 (B)22	4.3	7.8	10	0.8t , Width 6.35mm	340	
IRHA / B 200W	165	146	125	(A)30 (B)60	(A)60 (B)30	5.3	10.4	14.6	2t , Width 10mm	450	
IRHA / B 300W	215	196	175	(A)30 (B)60	(A)60 (B)30	5.3	10.4	14.6	2t , Width 10mm	610	
IRHA / B 400W	265	246	225	(A)30 (B)60	(A)60 (B)30	5.3	10.4	14.6	2t , Width 10mm	870	
IRHA / B 500W	335	316	295	(A)30 (B)60	(A)60 (B)30	5.3	10.4	14.6	2t , Width 10mm	950	

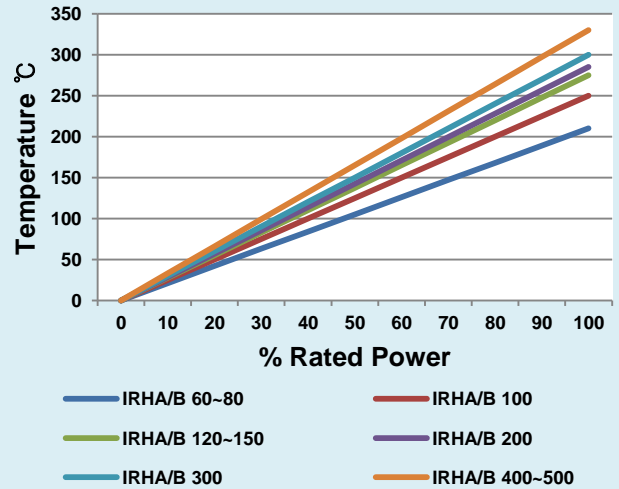
■ SURFACE TEMPERATURE INCREASE VERSUS POWER LOAD

Power Derating

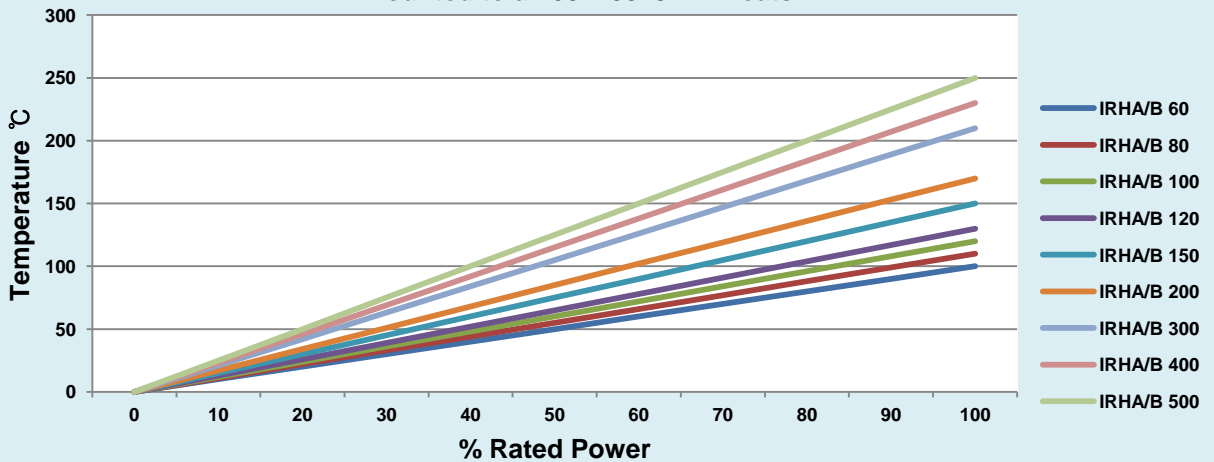


200x200x3mm 60 to 150 watt
400x400x3mm 200 to 500 watt

Free Air Surface Temperature Rise



Surface Temperature Rise mounted to a 400x400x3mm heatsink



■ HOW TO ORDER

IRHA100
TYPE

W/N
WINDING METHOD W: Inductive Type N: Non- Inductive Type

50Ω
NOMINAL RESISTANCE

J
RESISTANCE TOLERANCE

www.resistors.co.kr

Tel +82-7648216