

PRHW series (100W)

Metal Clad Wire Wound Resistors for Automobile



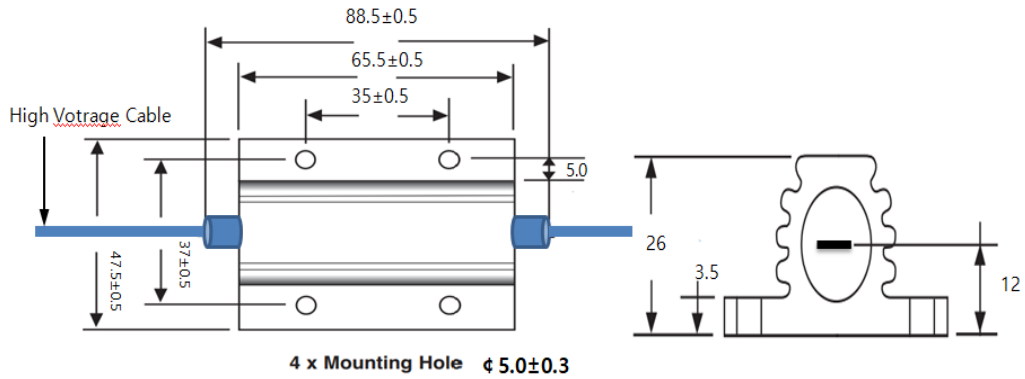
- Power Ratings 100Watts
- Resistance Range of 10Ω ~ 250Ω
- Non-Inductive Winding Available
- Tolerances of 0.5% 1 %, 5%, or 10%
- Compact Packaging

**Automotive Grade
AEC-Q200**

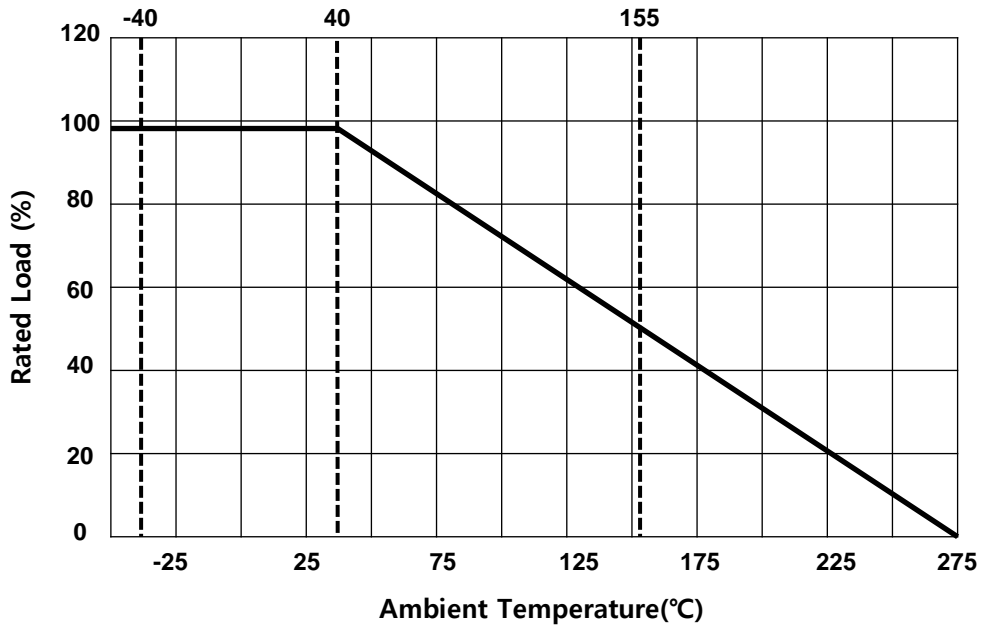
■ SPECIFICATIONS

| ITEM | SPECIFICATIONS | |
|-----------------------------|----------------|---|
| Resistance | | 10 ~ 250Ω±5% |
| Power Rating | | 100W±5% (W/O Heat Sink) |
| TCR | | ± 220ppm |
| Operating Voltage | | ≥1000V (200msec) |
| Maximum Current | | 15A |
| Dielectric Voltage | | 4500V |
| Insulation Resistance | | 100MΩ |
| High Temperature Storage | (±1% +0.05Ω) | 125°C, 1000 hr |
| High Temperature & Humidity | (±3% +0.05Ω) | 85°C, 85% RH, 1000h, 10 % of operating power, 1000hr, |
| Operational Life | (±3% +0.05Ω) | 125°C at Rated power, 1000hr, |
| Operating Temp | (±2% +0.05Ω) | -40 ~85 °C |
| Temperature Cycling | (±2% +0.05Ω) | (-55 - 125)°C, Each dwell time, 30 min, 1h/cyc, 1000 cycle, |
| Load Life | (±3%+0.05Ω) | 300,000 cycles |
| Short duration | (±2% +0.05Ω) | 200ms @ 15A |
| Mechanical Vibration | (±1% +0.05Ω) | 100G, 6ms Half Sine, 3 Time/Axis, Total 6 Axis |
| Short Time Overload | (±2% +0.05Ω) | 5X for 5sec |
| Charging/Discharging Test | (±3%+0.05Ω) | 95% ~ 98% Precharging Ratio. 300,000 cycle, |
| Short Circuit | (±2% +0.05Ω) | Pulse Duration : 200ms. Cycle Time : 2sec. |
| | | 1 Time : 5 Cycles. Total : 5 Times |
| Failure Test | | 500msec ~ 1sec |
| Terminations | | Wire length 200±10mm. High voltage cable |
| Weight (g) | | 125g |

■ DIMENSIONS



■ POWER DERATING CURVE



■ HOW TO ORDER

| | | | | |
|------|-------|--------------|--------------------|----------------------|
| PRHW | W | 100W | 100Ω | J |
| TYPE | STYLE | POWER RATING | NOMINAL RESISTANCE | RESISTANCE TOLERANCE |

www.resistors.co.kr

Tel +82-7648216