

RQM Series (40W ~70W)

Metal Clad Wound Resistors for Automobile



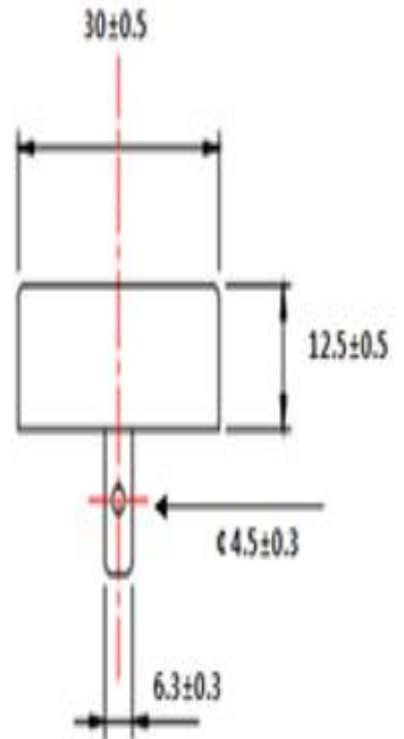
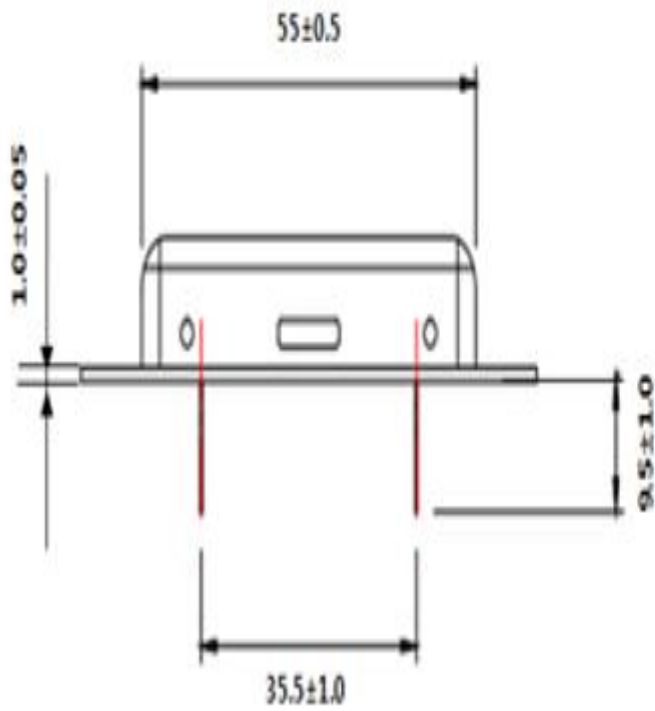
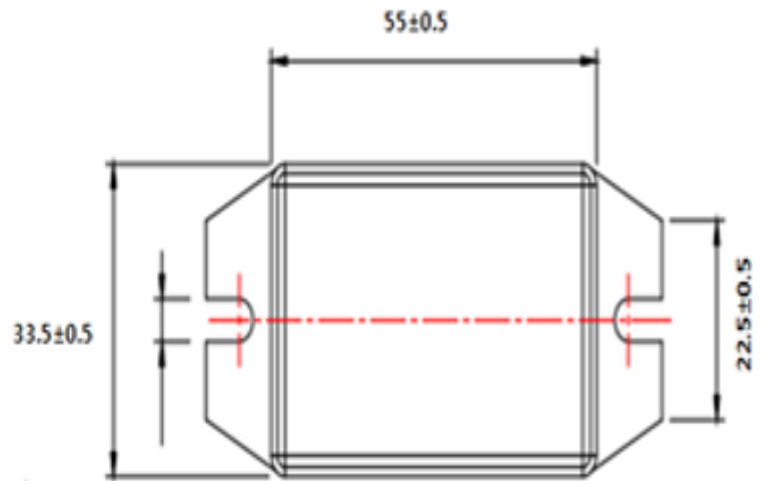
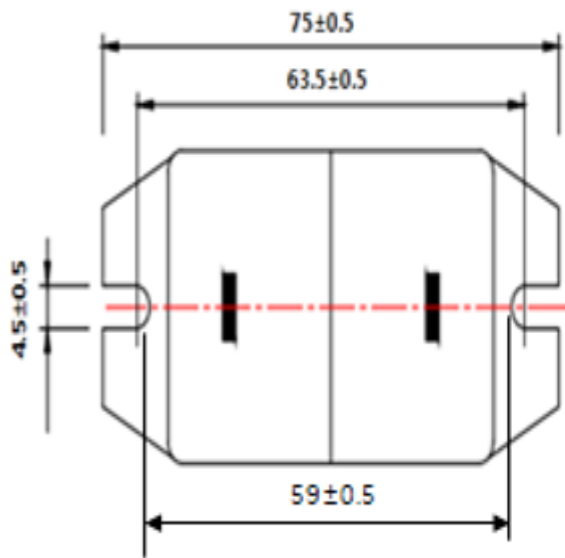
**Automotive Grade
AEC-Q200**

- Power Rating from 40W to 70W
- Resistance Range of 10Ω to 250Ω
- Tolerances of 0.5% 1 %, 5%, or 10%
- Compact Design

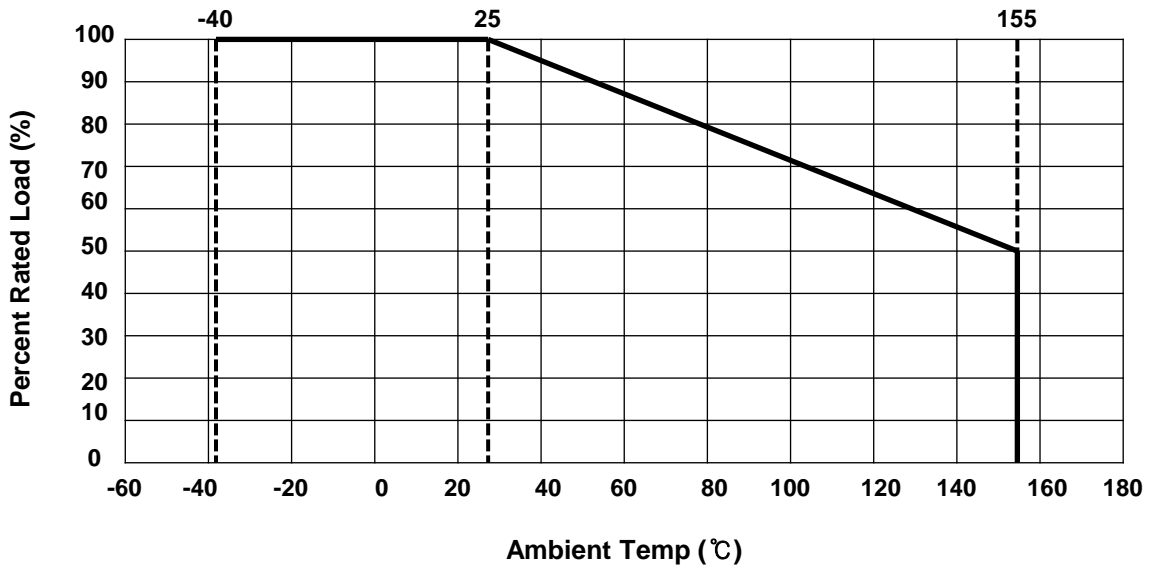
■ SPECIFICATIONS

Test item	Test Condition	Test time	Reference
High Temperature Exposure)	150 °C	1,000hr	MIL-STD-202 Method 108
Temperature Cycle	(-55 ~ 150) °C	1hr/cycle, 1,000cycle = 1,000hr	JESD22-A104
Biased Humidity	85 °C, 85%R.H.	1,000hr	MIL-STD-202 Method 103
Operational Life	150 °C	1,000hr	MIL-STD-202 Method 108
Mechanical Shock	100G, 6ms, 3Time/6-axis	-	MIL-STD-202 Method 213
Vibration Test	(10~2,000) Hz, 5G, 4hr each axis, 3 axes total	-	MIL-STD-202 Method 204
Resistance to Soldering Heat	(260±5) °C,	-	MIL-STD-202 Method 210
Solderability	(235±5) °C,	(5±0.5)s	J-STD-002
Resistance to Solvent	* Solvent 3 1. Solvent A) Isopropyl Alcohol : Mineral Spirits = 1 : 3 2. Solvent C) Terpene Defluxer 3. Solvent D) Water : Propylene glycol monomethyl ether : Monoethanolamine = 42 : 1 : 1	-	MIL-STD-202 Method 215
Withstand voltage test	2500Vac	60sec	AEC-Q200
Insulation resistance	1000VDC / 1000MΩ	60sec	AEC-Q200
ESD	Direct Contact(6kV) ~ Air Discharge(12~25kV)	-	AEC-Q200-002
Weight	45g		

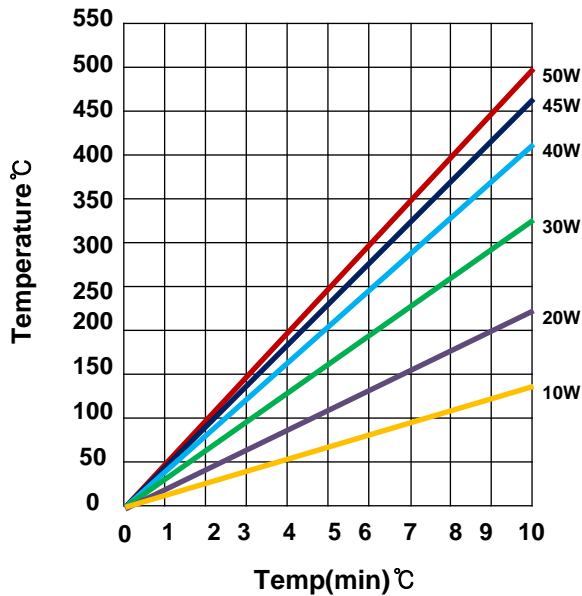
■ DIMENSIONS



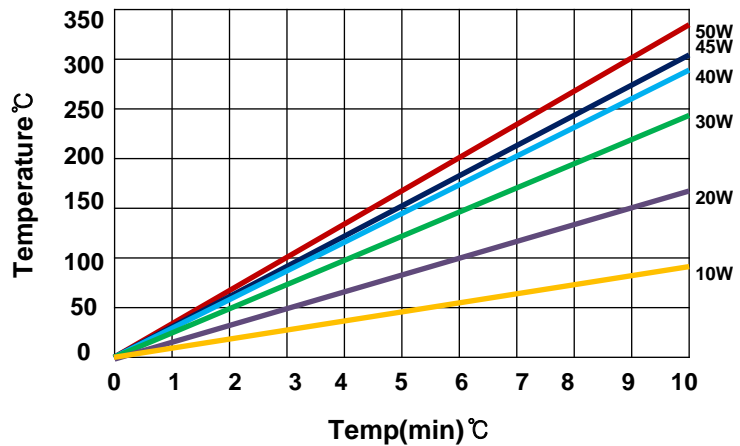
POWER DERATING CURVE & FREE AIR SURFACE TEMPERATURE RISE



Free Air Surface Temperature Rise



Surface Temperature Rise mounted to a 150x150x2mm heatsink



HOW TO ORDER

RQ	M	40W	30Ω	J
TYPE	STYLE	POWER RATING	NOMINAL RESISTANCE	RESISTANCE TOLERANCE

www.resistors.co.kr

Tel +82-7648216